

University of California
Berkeley

College of Engineering
Department of Electrical Engineering
and Computer Sciences

Professors : N.Morgan / B.Gold
EE225D

Spring, 1999

Acoustic Tube Models

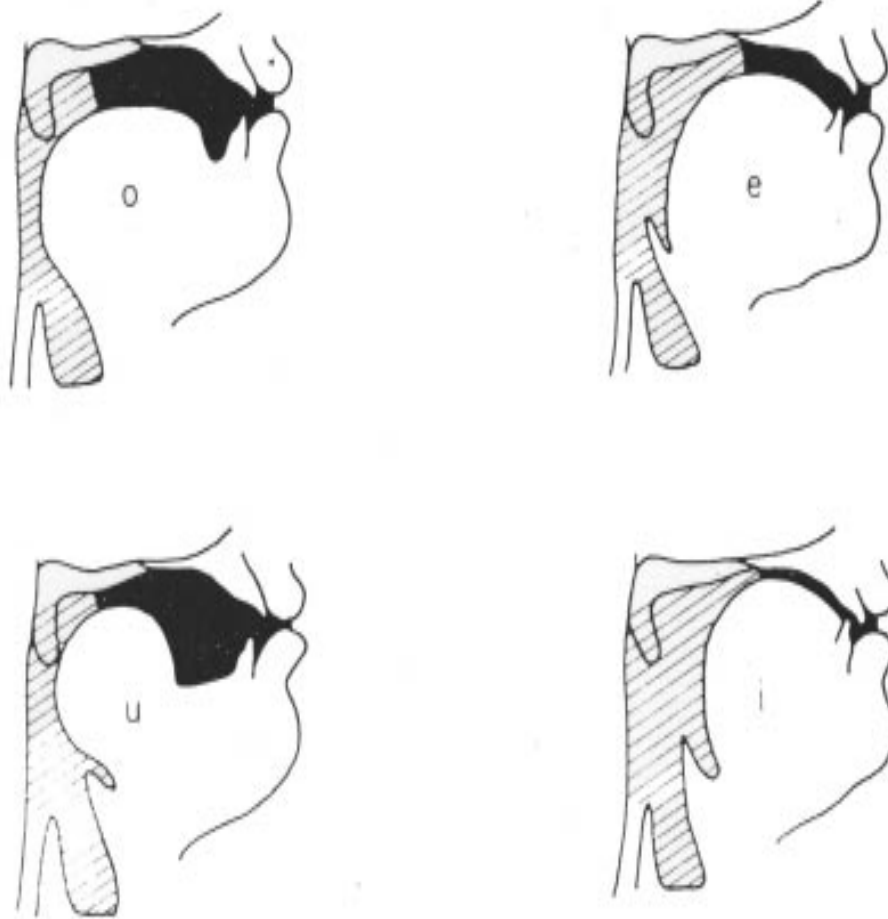
Lecture 13

Introduction :

Acoustic Tube Models of English Phonemes → 2 tube model.

Assumptions :

- Lossless tubes
- Plane waves
- Rigid walls
- Friction
- Thermal effect



Vocal tract area for four vowel sounds

Vocal tract areas for four vowel sounds.

i - Tongue is High.

e - Tongue is a little Lower.

u - Tongue is very Low.

o - Tongue is somewhat low.

1. Tube response vs. area function.
2. Discrete-time-space version.
3. Example - 2 tube representation of vowels.

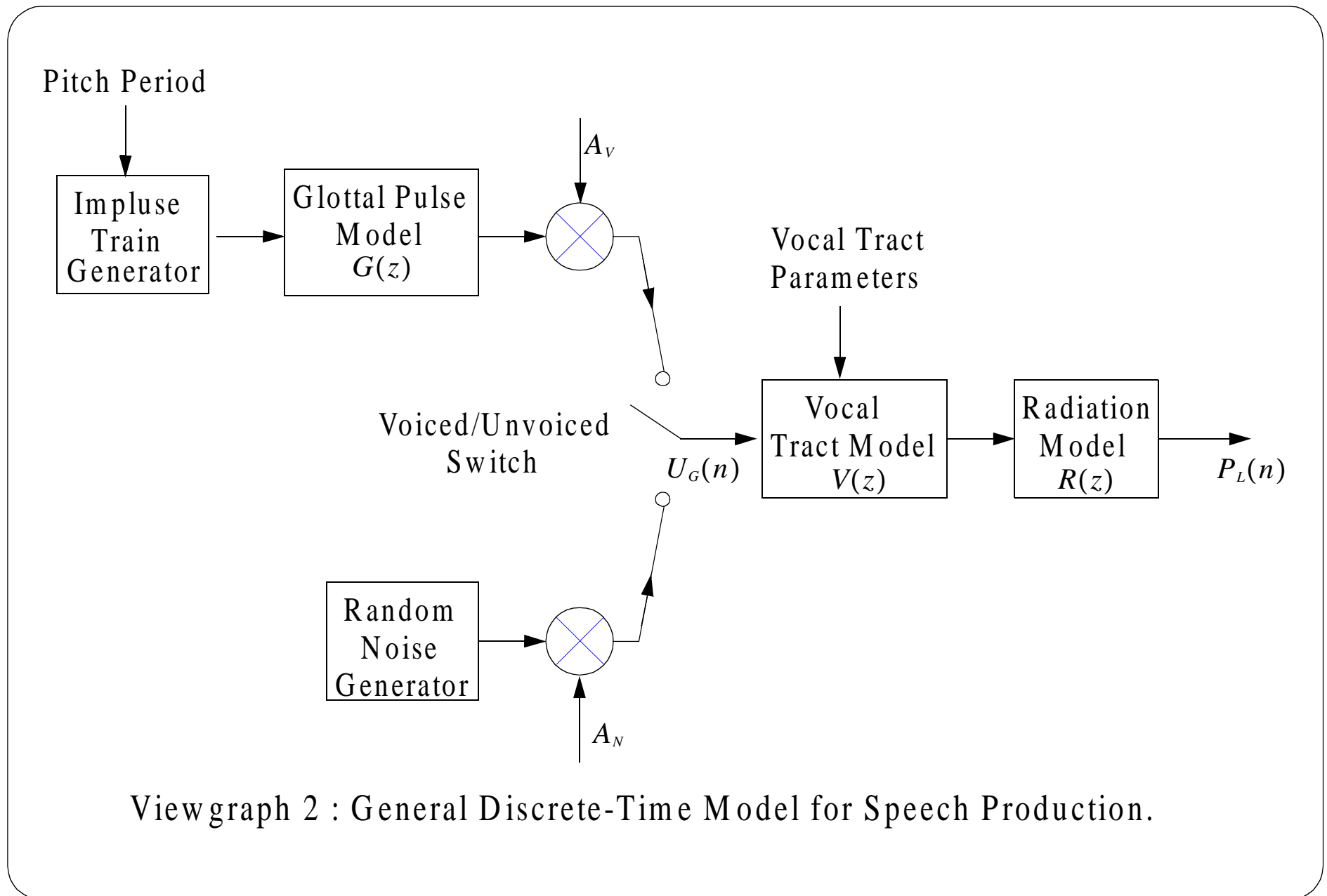
Problem for Today :

Develop a 2 tube model to derive a frequency response that approximates some vowels.

By solving a complicated wave equation, the frequency response can be found.

Look up equation in R & S.

$$\begin{aligned} -\frac{\partial p}{\partial x} &= \rho \frac{\partial}{\partial t}(u/A) \\ -\frac{\partial u}{\partial t} &= \frac{1}{\rho c^2} \frac{\partial}{\partial t}(pA) + \frac{\partial A}{\partial t} \end{aligned}$$



Assumption in this Model :

Vocal Tract Model - Time varying

Radiation Model - May be time varying

Glottal Pulse Model - Usually considered independent of vocal tract model, but later we'll examine this wave closely

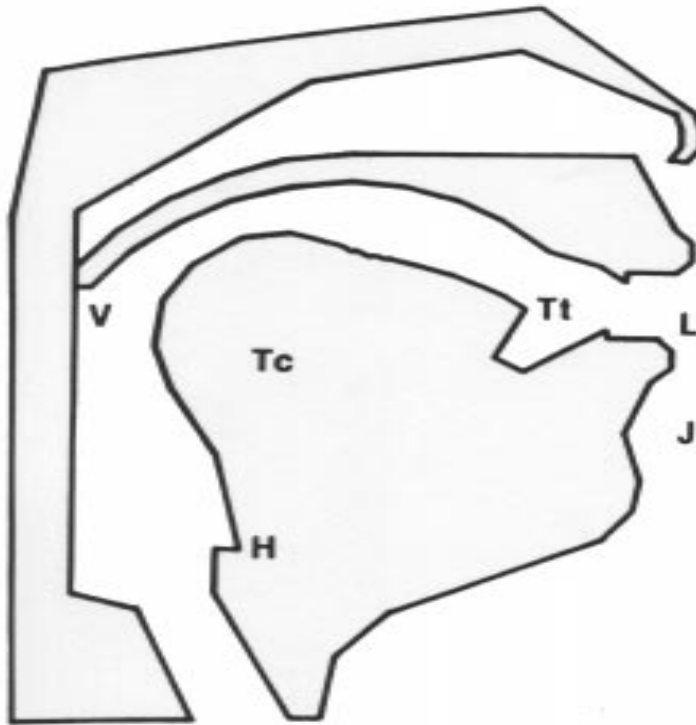
$$u(x, t) = u^+ \left(t - \frac{x}{C} \right) - u^- \left(t + \frac{x}{C} \right)$$

$$p(x, t) = Z_o \left[u^+ \left(t - \frac{x}{C} \right) + u^- \left(t + \frac{x}{C} \right) \right]$$

$p(l, t) = 0$: open tube

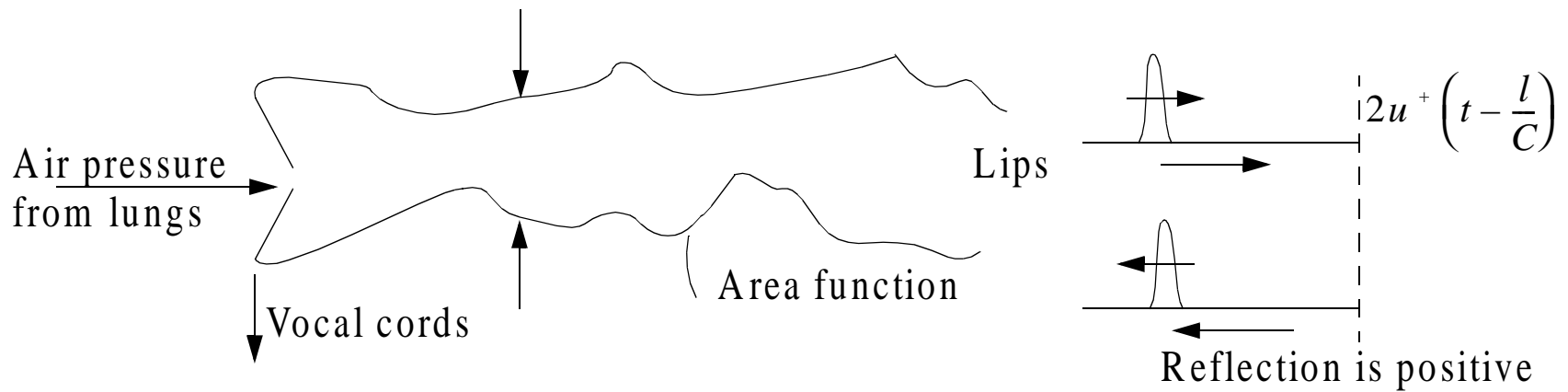
$$u^+ \left(t - \frac{l}{C} \right) = -u^- \left(t + \frac{l}{C} \right)$$

$$u(l, t) = 2u^+ \left(t - \frac{l}{C} \right)$$



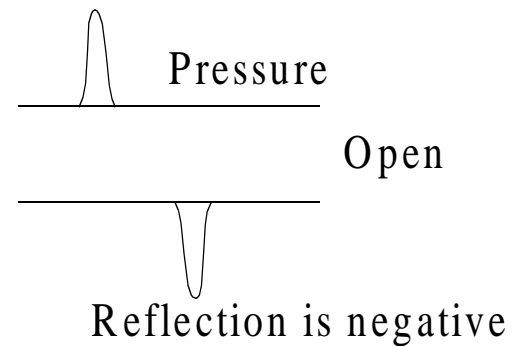
Model of Vocal Tract

- H = HYOID POSITION**
- J = ANGLE OF JAW OPENING**
- L = LIP PROTRUSION AND ELEVATION**
- Tc = TONGUE CENTER**
- Tt = POSITION OF TONGUE TIP**
- V = VELUM OPENING**



Closed Tube $u(l, t) = 0$

$$\text{so } u^+ \left(t - \frac{l}{C} \right) = -u^- \left(t + \frac{l}{C} \right)$$



- Given Area Function we can compute Spectrum

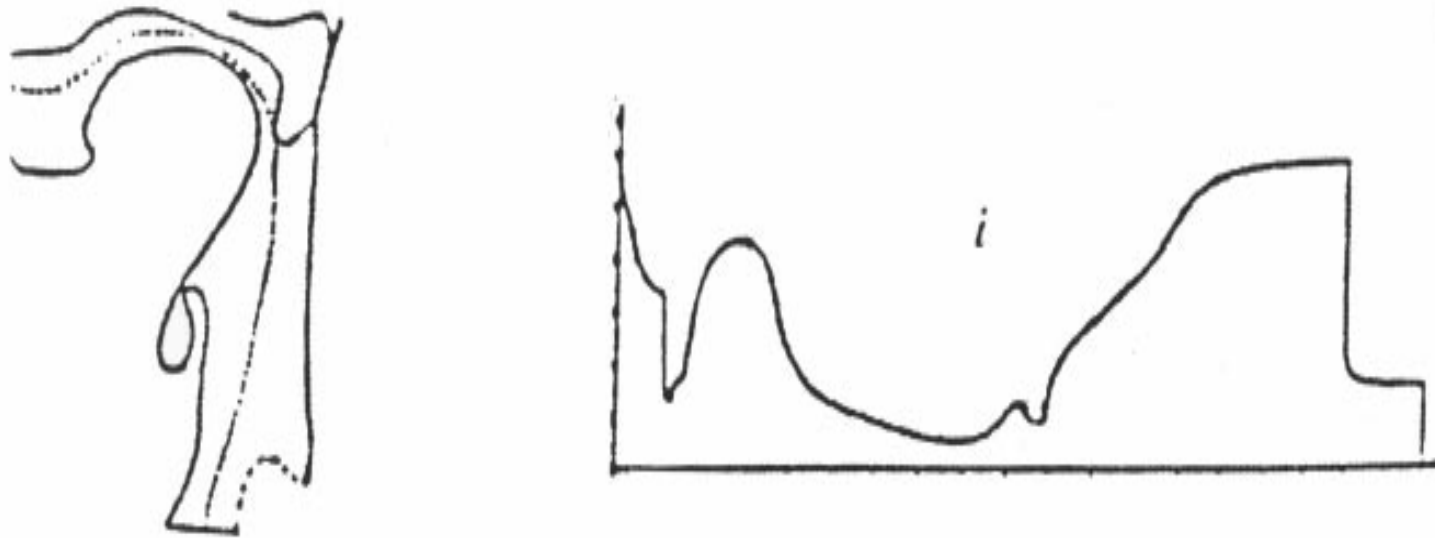


Figure 11.1: X-ray tracing and area function for phoneme /i/

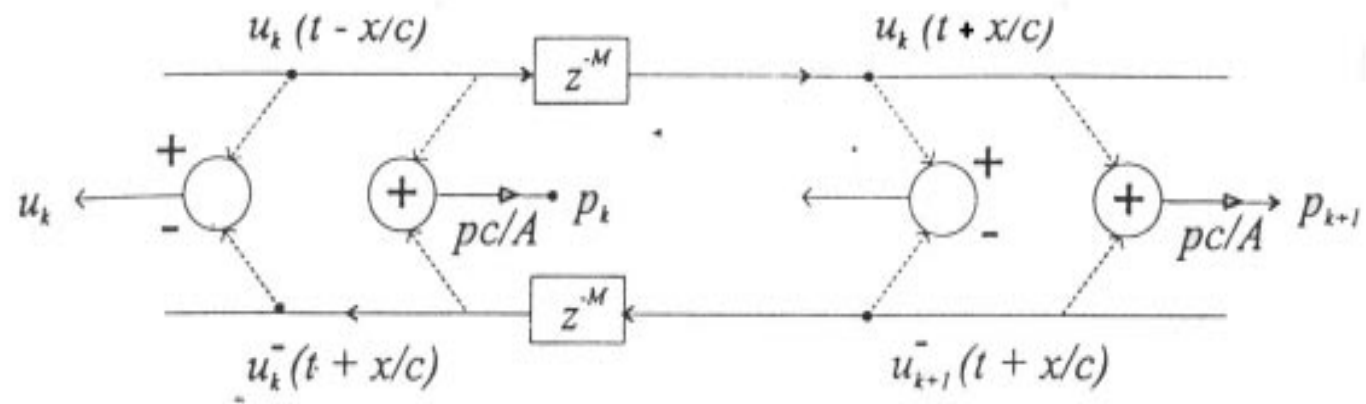


Figure 11.2: Single section of digital wave guide

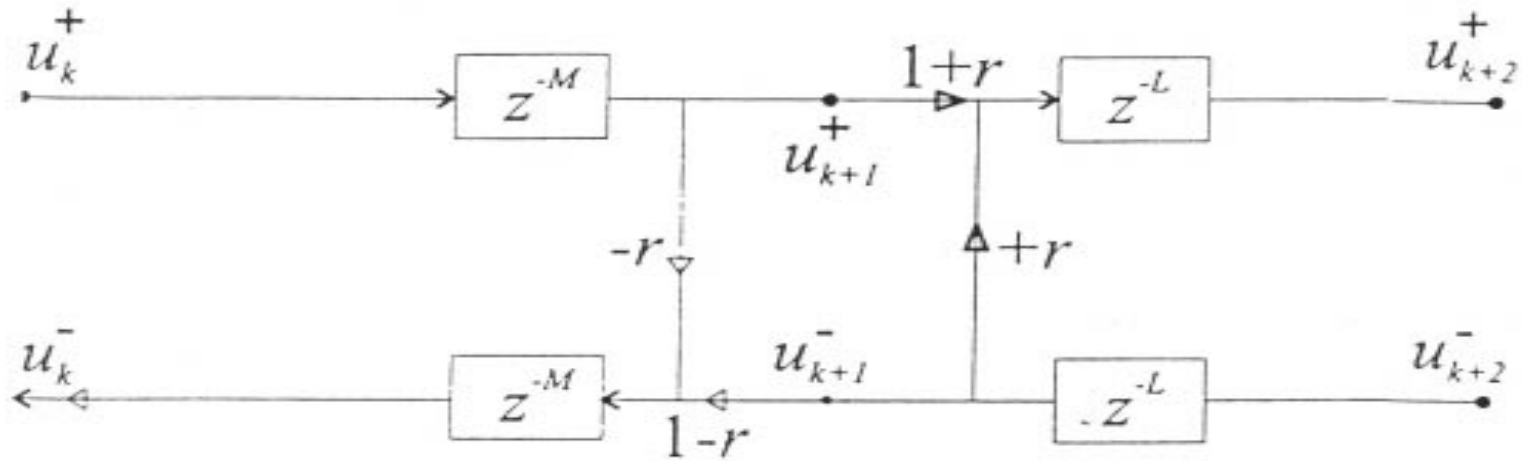


Figure 11.3: Two section digital wave guide

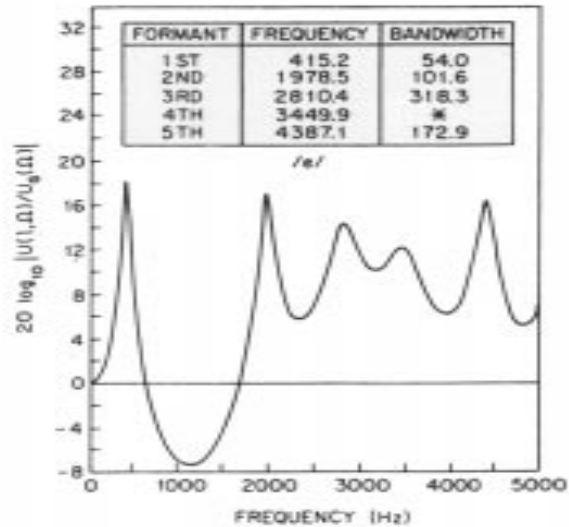
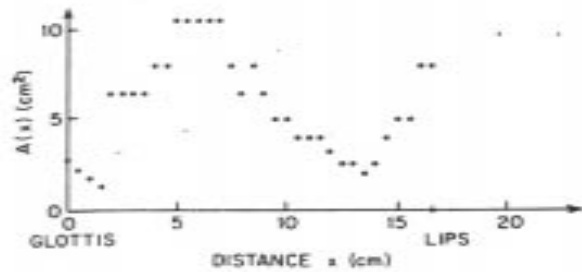


Figure 3.24 Area function and frequency response for the Russian vowel /e/

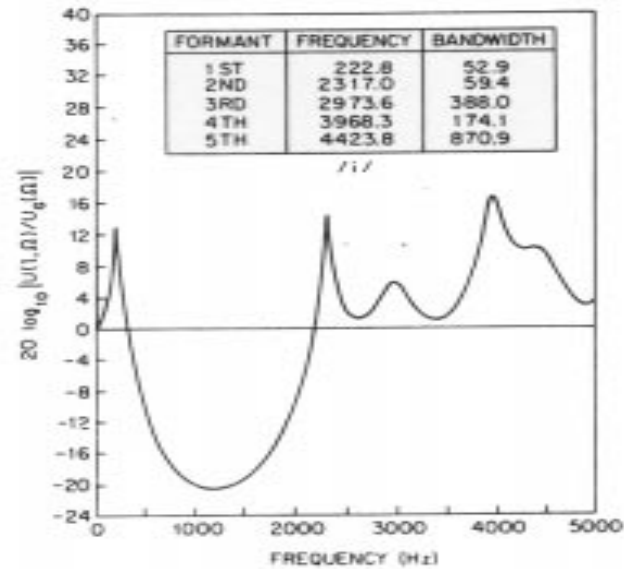
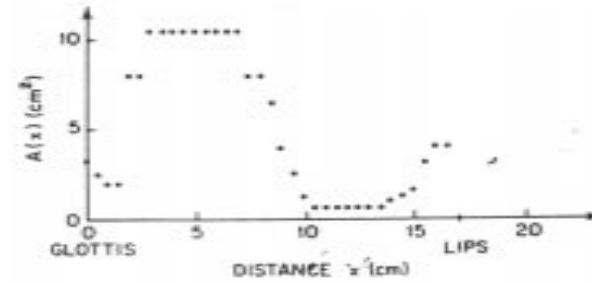
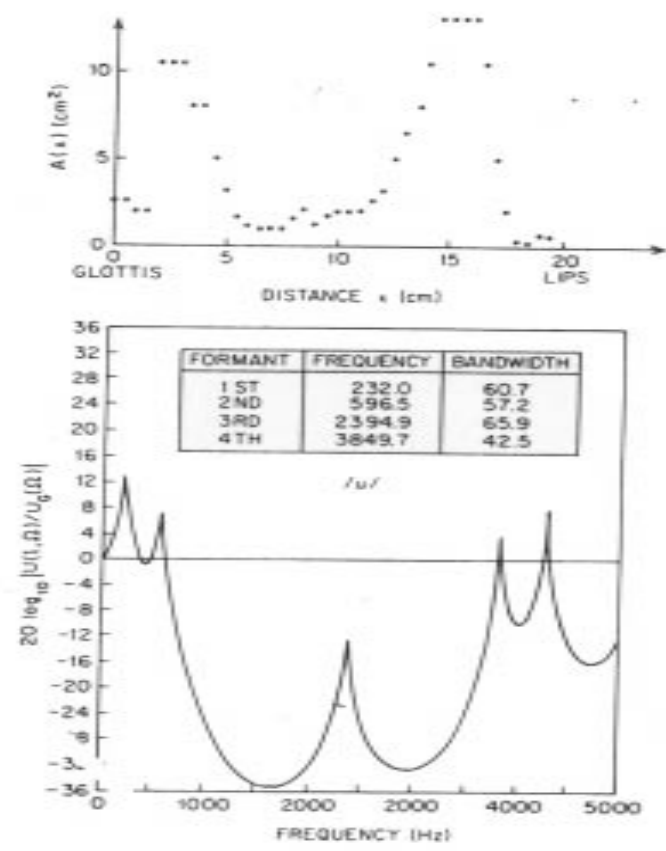
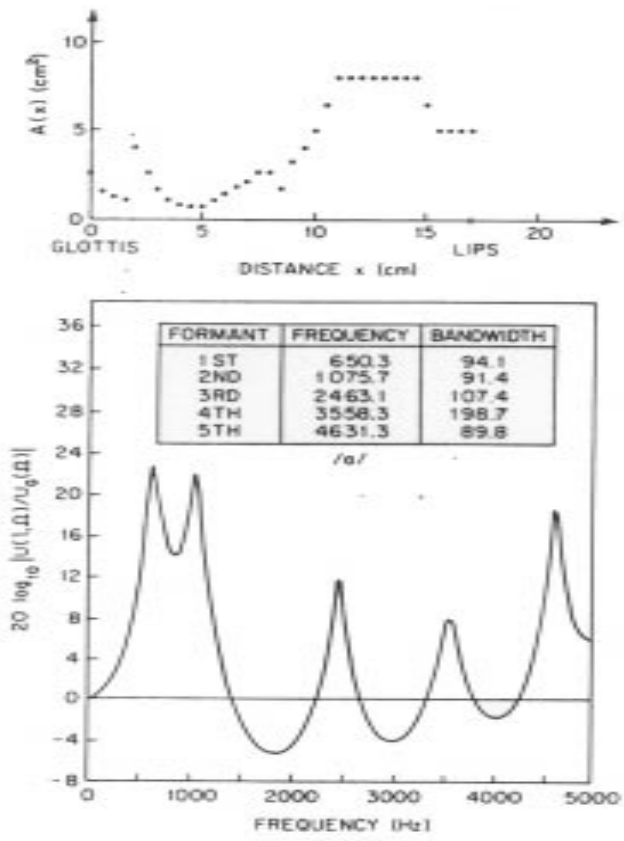
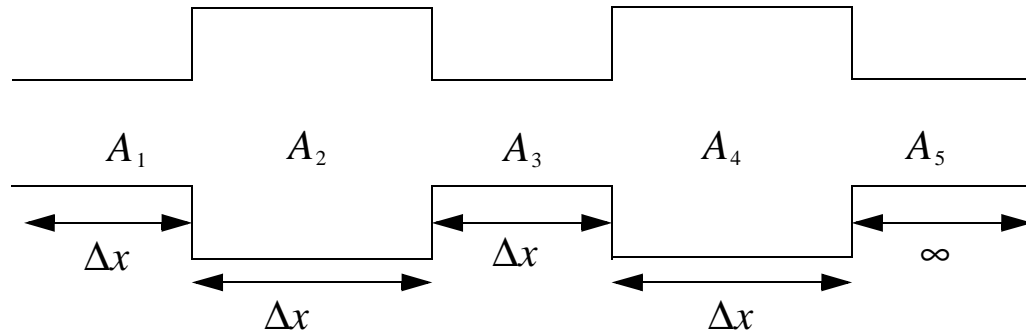


Figure 3.25 Area function and frequency response for the Russian vowel /i/

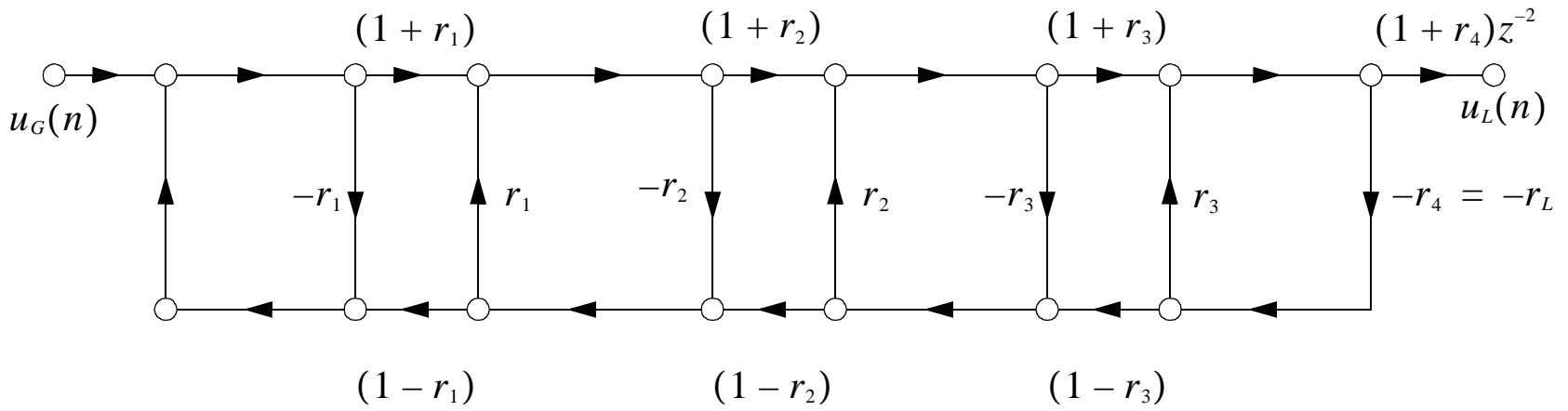


More Complex Tube Structure

a)



b)



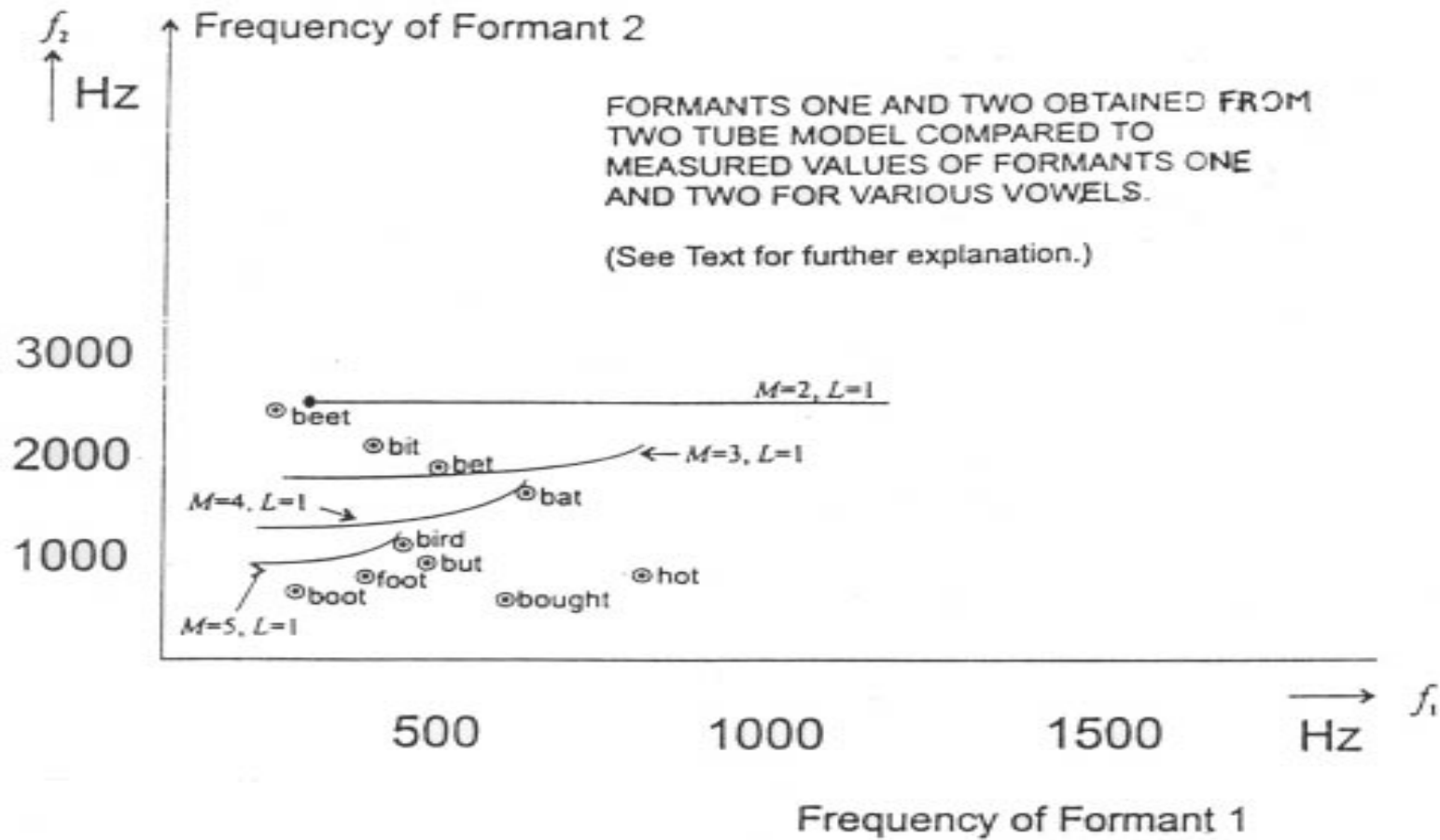


Figure 11.4 Formants 1 and 2 obtained from two tube model